

**DigitTech**  
The Power to Create



# MULTI CHORUS

DIGITAL MULTI VOICE CHORUS

## DECLARATION OF CONFORMITY

Manufacturer's Name:  
8760 S. Sandy Parkway  
Sandy, Utah 84070, USA

declares that the product:

Product name: Multi Chorus

Product option: all (requires Class II power adapter that conforms to the requirements of EN 60742 or equivalent)

conforms to the following Product Specifications:

Safety: IEC 60065 (1998)  
EMC: EN 55013 (1990)  
EN 55020 (1991)

Supplementary Information:

The product herewith conforms with the requirements of the EMC Directive 89/336/EEC as amended by Directive 93/68/EEC.

Vice-President of Engineering  
8760 S. Sandy Parkway  
Sandy, Utah 84070, USA  
Date: February 22, 2002

European Contact: Your local DigITech Sales and Service Office or

Harman Music Group  
8760 South Sandy Parkway  
Sandy, Utah 84070, USA  
Ph: (801) 564-8800  
Fax: (801) 568-7583

## Warning

For your protection, please read the following:

Important Safety Instructions

1. Read these instructions.
  2. Keep these instructions.
  3. Heed all warnings.
  4. Do not use this apparatus near water.
  5. Clean only with dry cloth.
  6. Do not block any ventilation openings. Install in accordance with the manufacturer's instructions.
  7. Refer to the instructions for the power source that the apparatus (including amplifiers) that produce heat.
  8. Protect the power cord from being walked on or pinched particularly at plugs, convenience receptacles, and the point where they exit from the apparatus.
  9. Unplug this apparatus during lightning storms or when unused for long periods of time.
  10. No user-serviceable parts inside. Refer all servicing to qualified service personnel. Servicing is required when the apparatus has been damaged or if the power supply cord or plug is damaged, liquid has been spilled or objects have fallen into the apparatus, the apparatus has been exposed to rain or moisture, does not operate normally or has been dropped.
11. **WARNING:** To reduce the risk of fire or electric shock, do not expose this apparatus to rain or moisture.
12. Refer to labels on the unit, including bottom cover, or other markings and pertinent information.

**WARRANTY:** We at **DigitTech** are proud of our products and back-up each one with the following warranty:

1. The warranty registration card must be mailed within ten days after purchase date to validate this warranty.
2. DigitTech warrants this product when used solely within the U.S., to be free from defects in materials and workmanship under normal use and service.
3. DigitTech liability under this warranty is limited to repairing or replacing defective materials that show evidence of defect, provided the product is returned to DigitTech WITH RETURN AUTHORIZATION, where all parts and labor will be covered up to a period of **one** year (this warranty is extended to a period of **six** years when the product has been properly registered by mail or through our website). A Return Authorization number may be obtained from DigitTech by telephone. The company shall not be liable for any consequential damage as a result of the product's use in any circuit or assembly.
4. Proof-of-purchase is considered to be the burden of the consumer.
5. DigitTech reserves the right to make changes in design, or make additions to, or improvements upon this product without incurring any obligation to install the same on products previously manufactured.
6. The consumer forfeits the benefits of this warranty if the product's main assembly is opened and tampered with by anyone other than a certified DigitTech technician or, if the product is used with AC voltages outside of the range suggested by the manufacturer.
7. The foregoing is in lieu of all other warranties, expressed or implied, and DigitTech neither assumes nor authorizes any person to assume any obligation or liability in connection with the sale of this product. In no event shall DigitTech or its dealers be liable for special or consequential damages or from any delay in the performance of this warranty due to causes beyond their control.

**NOTE:** The information contained in this manual is subject to change at any time without notification. Some information contained in this manual may also be inaccurate due to undocumented changes in the product or operating system since the version of this manual was completed. The information contained in this version of the owner's manual supersedes all previous versions.

DigiTech has long been known as a leader in the guitar signal processing industry. The Multi Chorus is a culmination of this expertise, bringing you a breakthrough in chorus effect technology. Thanks to our proprietary AudioDNA™ processor, the Multi Chorus is the only pedal that provides up to 16 independent voices of interactive chorusing. The result is a lush wash of modulation that rivals any of the finest pedal and rack chorus devices you have ever heard.

#### **1. Level Knob**

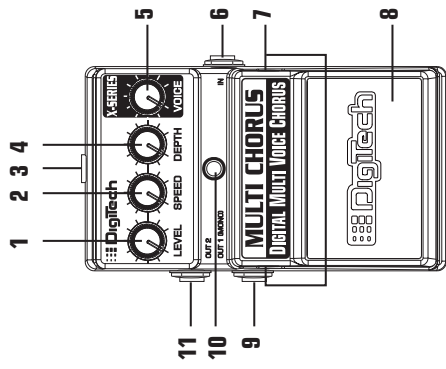
Controls the output level of the effect. Turn this knob clockwise to increase the output level, and counter-clockwise to decrease the output level.

#### **2. Speed Knob**

Controls the rate that the chorus modulates. Turn this knob clockwise to increase the rate, and counter-clockwise to decrease the rate.

#### **3. AC Adapter Jack**

Connect a DigiTech PS200R power supply to this jack. Use the proper supply for your area's Mains line voltage.



#### **4. Depth Knob**

Controls the depth of the chorus effect. Turn this knob clockwise to increase the depth for a thick chorus sound, and counter-clockwise to decrease the depth for a shallow, light chorus sound.

#### **5. Voice Knob**

Controls the number of chorus voices used. At the knob's minimum position, only a single chorus voice is present. As the knob is turned clockwise, more voices are brought in. At the maximum position of the Voice knob, 16 voices are heard interacting with one another.

#### **6. Input Jack**

Connect your instrument to this jack. Connecting a guitar cable to this jack supplies battery power even though the Indicator LED may not be lit. To prolong battery life, disconnect all cables from the pedal when not in use.

#### **7. Pedal Release Pins**

These two pins are spring-loaded hinges that hold the pedal in place.

Push these pins in to release the pedal from the pedal chassis exposing the battery compartment. (See battery replacement diagram.)

**8. Pedal**

Press the pedal to turn the effect on and off.

**9. Out 1 (Mono) Jack**

Connect this output to a single guitar amplifier when only one amp is being used.

**10. Indicator LED**

This LED indicates when the effect is turned on. If the LED becomes dim or does not light when the cables are connected, the battery needs to be replaced.

**11. Out 2 Jack**

Connect this output to a second amplifier for true stereo chorusing. Stereo is the best way to get the most effective chorusing experience from the Multi Chorus pedal.

### **Connections**

The Multi Chorus has a single input and a pair of outputs. **Out 1** is used if the Multi Chorus is being connected to only one amplifier. **Out 2** is used for stereo operation. Connect **Out 1** to the first amplifier and **Out 2** to the second amplifier.

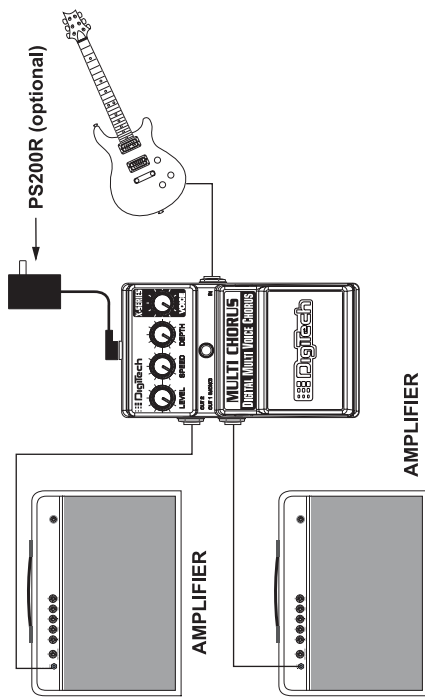
The Multi Chorus also has built-in CIT™ cabinet modeling that can be enabled. This is a useful tool when running a distortion pedal into the Multi Chorus and then running direct into a mixer or recorder. This creates a distortion-through-an-amplifier sound without having to use a guitar amp.

### **To Enable CIT™ Cabinet Modeling:**

Press the pedal down and apply power (connect a guitar cable to the Multi Chorus input or connect the PS200R power supply to the AC adapter jack).

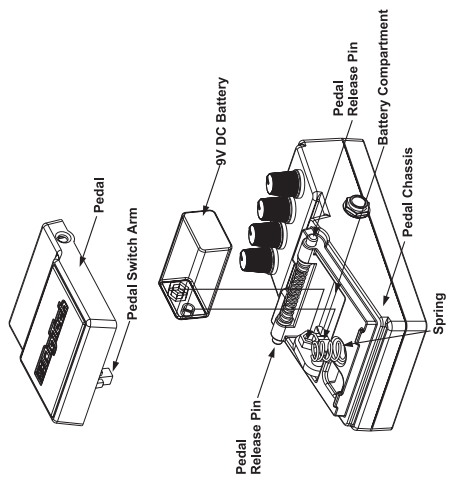
CIT™ cabinet modeling has to be enabled each time you apply power to the Multi Chorus.





**Battery Replacement**

1. Using the tip of a 1/4" guitar cable, push one of the release pins in on either side of the pedal, and remove the pedal from the pedal chassis.
2. Remove the battery from the battery compartment and disconnect the battery cable.
3. Connect a new battery to the battery cable and put it back in the battery compartment. Make sure the battery cable does not interfere with the spring or pedal switch arm.
4. Place one hole of the pedal over its corresponding pin.
5. Push the opposite pin in and lower the other side of the pedal into place over the depressed pin. Release the pin. When the pedal is properly fastened, both release pins are flush with the outer side of the pedal.



**SPECIFICATIONS:**

- Controls - Level, Speed, Depth, Voice, On/Off Pedal
- Jacks - Input, Out 1 (Mono), Out 2
- Input Impedance - 1 MOhms
- Output Impedance - 100 Ohms
- Power Supply - 9V Alkaline Dry Battery
- Power Consumption - 4.8Watts (w/optional PS200R power supply)
- Battery Life - Approximately 4 hours (with continuous usage)
- Dimensions - 4 15/16"(L) x 3 1/8"(W) x 2 1/8"(H)
- Weight - 1.38 lbs.
- Optional Power Supply
  - PS200R - 100 (100V ~ 50/60Hz)
  - PS200R - 120 (120V ~ 60Hz)
  - PS200R - 230 (230V ~ 50Hz)
  - PS200R - 240 (240V ~ 50Hz)

DigiTech  
8760 South Sandy Parkway  
Sandy, Utah 84070  
PH (801) 566-8800  
FAX (801) 566-7005

DigiTech and X-Series are trademarks of the Harman Music Group Inc.

Copyright - Harman Music Group

Multi Chorus Digital Chorus  
Owners Manual 18-1800V-A

Please visit DigiTech  
on the World Wide Web at:  
[www.digittech.com](http://www.digittech.com)

Printed in China

**H** A Harman International Company